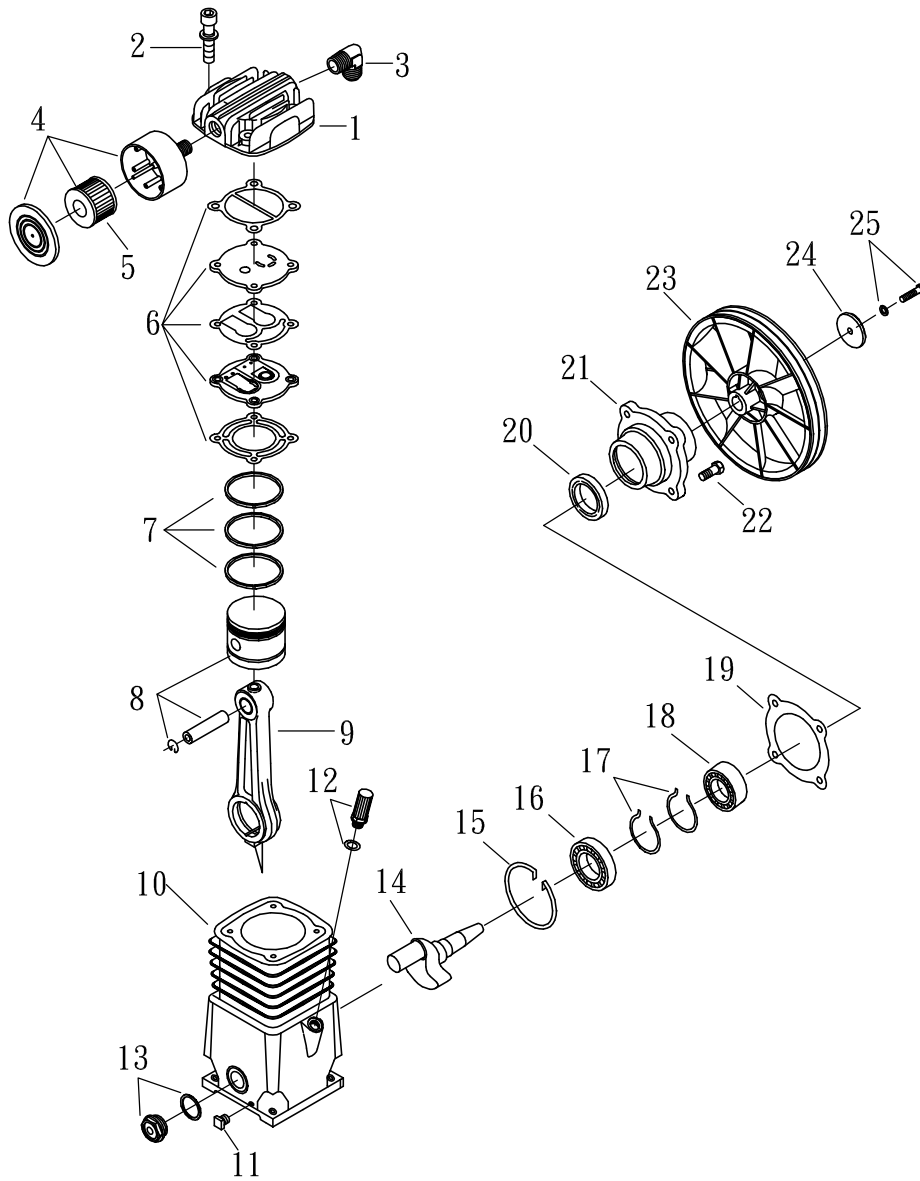


MODEL : PK-2011VP(Pump)

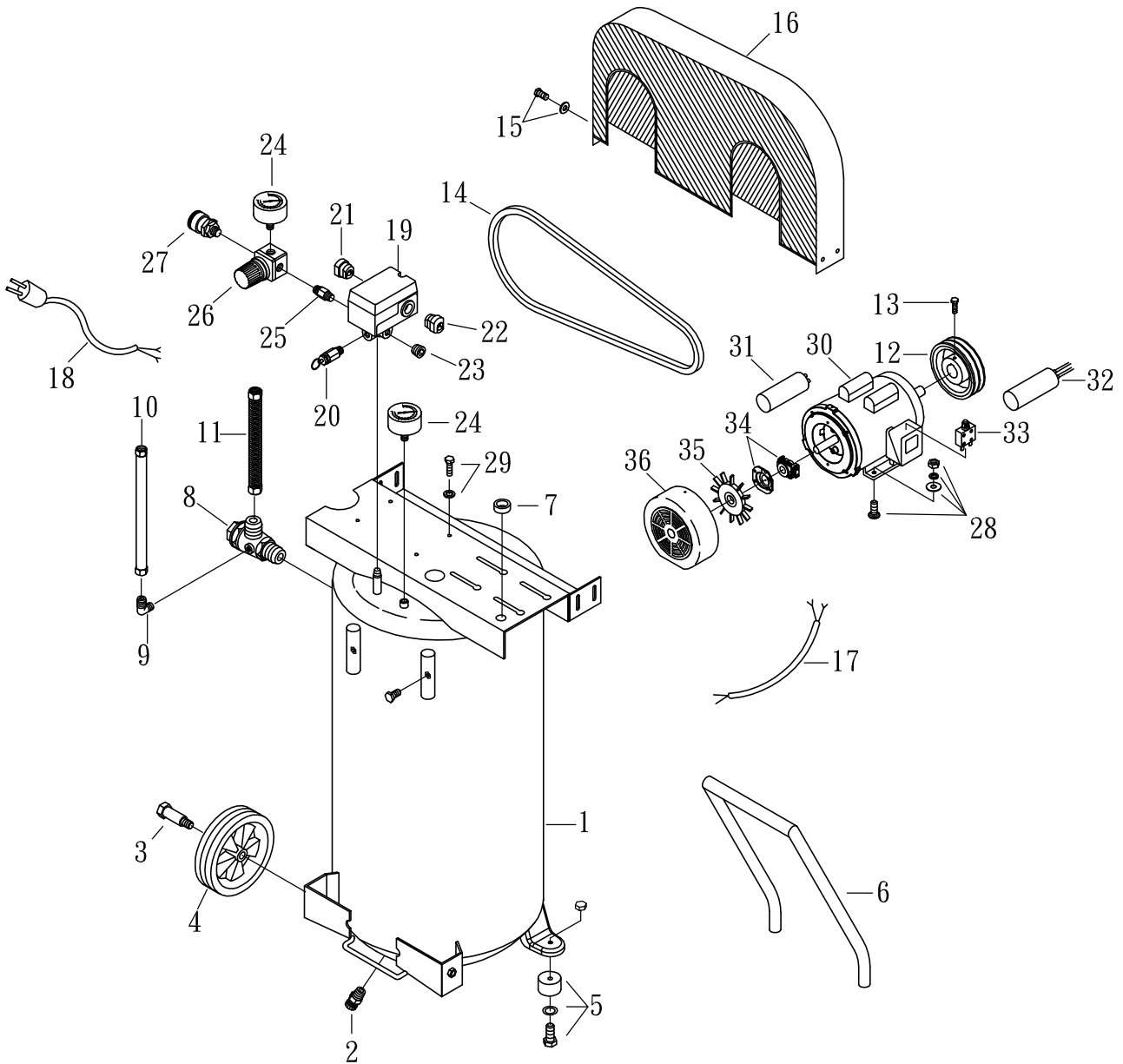


SPARE PARTS LIST

NO : MP-1312

| REF. NO. | DESCRIPTION | PART NO. | QTY. | REF. NO. | DESCRIPTION | PART NO. | QTY. |
|----------|--------------------------|---------------|------|----------|-----------------------|-----------------|------|
| 1 | Cylinder head | 3101052 | 1 | 14 | Crankshaft & balancer | 3304075A | 1 |
| 2 | Allen bolt set | 3B01-M06*040V | 4 | 15 | Bearing snap ring | 2N43-021 | 1 |
| 3 | Exhaust elbow | 2N06-04T04H | 1 | 16 | Bearing | 2N35-6205 | 1 |
| 4 | Air filter set | 2140019A | 1 | 17 | Crankshaft snap ring | 2N42-S24 | 2 |
| 5 | Filter element | 2142013 | 1 | 18 | Bearing | 2N35-6004Z | 1 |
| 6 | In. & Ex. valve assembly | 3B13-AC0765C | 1 | 19 | Bearing seat gasket | 2G06-009 | 1 |
| 7 | Piston ring set | 3B32-65N | 1 | 20 | Oil seal | 2N50-TC20*35*07 | 1 |
| 8 | Piston set | 3B31-65N | 1 | 21 | Bearing seat | 3311028A | 1 |
| 9 | Rod | 2315041 | 1 | 22 | Hexagon bolt | 2B00-SM06*020 | 4 |
| 10 | Crankcase | 3301053 | 1 | 23 | Pulley | 3PBF-075A120 | 1 |
| 11 | Oil draining plug | 2N33-001 | 1 | 24 | Plate washer | 2B30-08*35*35 | 1 |
| 12 | Breather set | 2339009A | 1 | 25 | Hexagon bolt set | 3B00-SM08*030V | 1 |
| 13 | Oil sight gauge set | 2303021B | 1 | | | | |

MODEL : PK-2011VP(Receiver Tank)



SPARE PARTS LIST

NO : MP-1312

| REF. NO. | DESCRIPTION | PART NO. | QTY. | REF. NO. | DESCRIPTION | PART NO. | QTY. |
|----------|------------------|-----------------|------|----------|-------------------------------|----------------|------|
| 1 | Air tank | 3401A075T | 1 | 19 | Pressure switch | 2E21-AA276CP | 1 |
| 2 | Drain valve | 2405012 | 1 | 20 | Pressure relief valve | 2406018A | 1 |
| 3 | Tank wheel bolt | 2418005 | 2 | 21 | Strain relief bushing | 2E04-009 | 1 |
| 4 | Tank wheel | 2402042B | 2 | 22 | Strain relief bushing | 2E04-012 | 1 |
| 5 | Rubber pad set | 2433013A | 2 | 23 | Plug | 2N33-009 | 1 |
| 6 | Grip | 3432038-A | 1 | 24 | Pressure gauge | 2D12-15D15KS | 2 |
| 7 | Bushing | 2E04-101 | 1 | 25 | Nipple | 2N01-02N02N045 | 1 |
| 8 | Check valve | 2414025T | 1 | 26 | Regulator | 2408008LNX | 1 |
| 9 | Unloading elbow | 2N06-01T02H | 1 | 27 | Quick coupler | 07MS01/4M-B | 1 |
| 10 | Unloading tube | 3B2-02*580F | 1 | 28 | Motor feet set bolt | 2B08-FM08*20-B | 4 |
| 11 | Exhaust tube set | 3B2-04*420 | 1 | 29 | Hexagon bolt set | 3B00-FM06*020V | 4 |
| 12 | Motor pulley | 3PMF-045A1W0515 | 1 | 30 | Motor(31, 32, 33, 34, 35, 36) | 2M02-A8450H | 1 |
| 13 | Hexagon bolt | 2B07-SM08*16 | 2 | 31 | Starting capacitor | 2E28-400F1240 | 1 |
| 14 | V-belt | 2N31-A34 | 1 | 32 | Running capacitor | 2E27-060F2530 | 1 |
| 15 | Hexagon bolt set | 3B00-FM08*015W | 4 | 33 | Thermal protector | 2E25-15A | 1 |
| 16 | Belt guard | 3426060 | 1 | 34 | Centrifugal switch set | 2E24-14064P | 1 |
| 17 | Cable | 2E02-2030602Y2T | 1 | 35 | Cooling fan | 2336023 | 1 |
| 18 | Power cable | 2E01-012W | 1 | 36 | Fan cover | 2337016 | 1 |