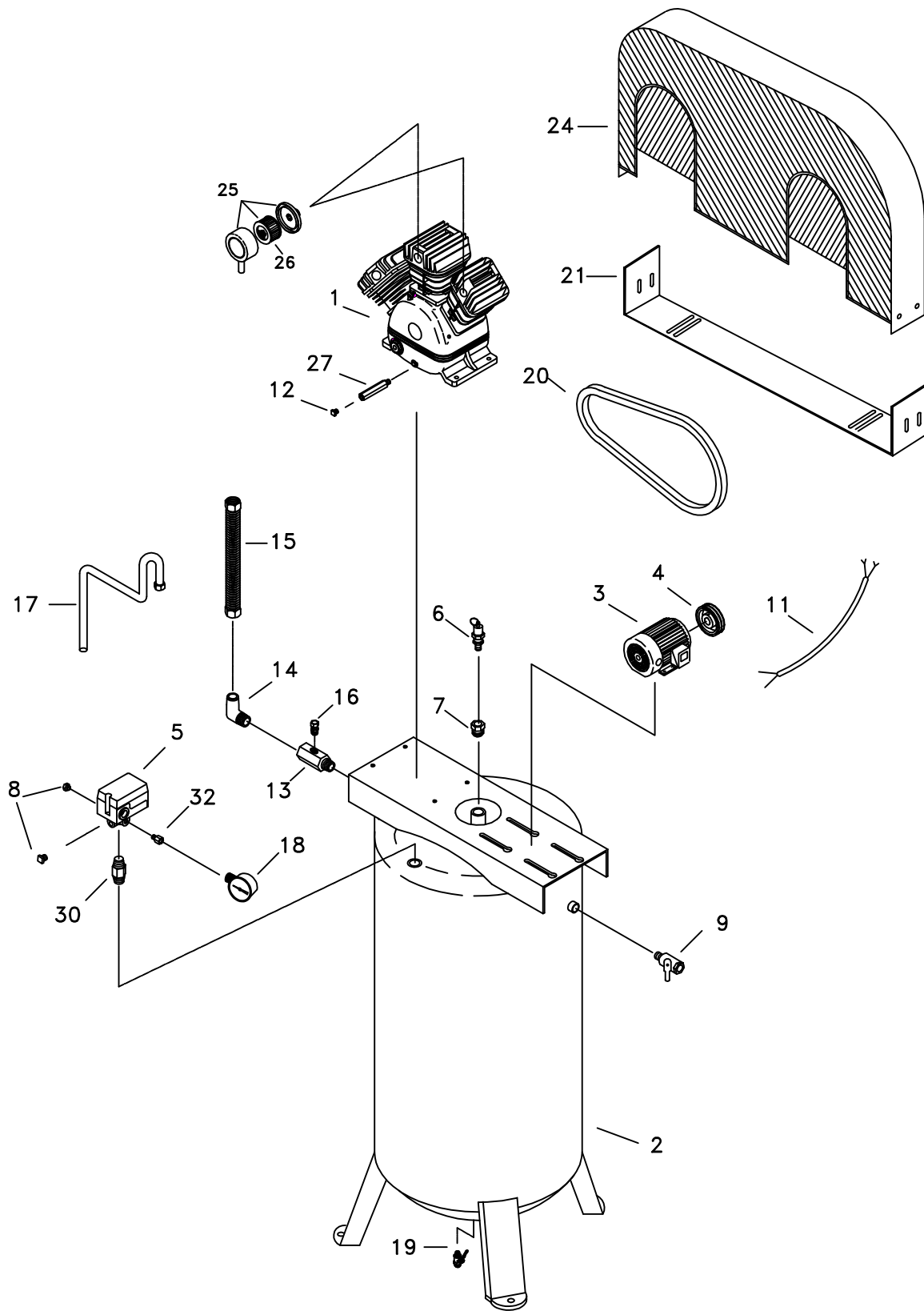


PK-7060V



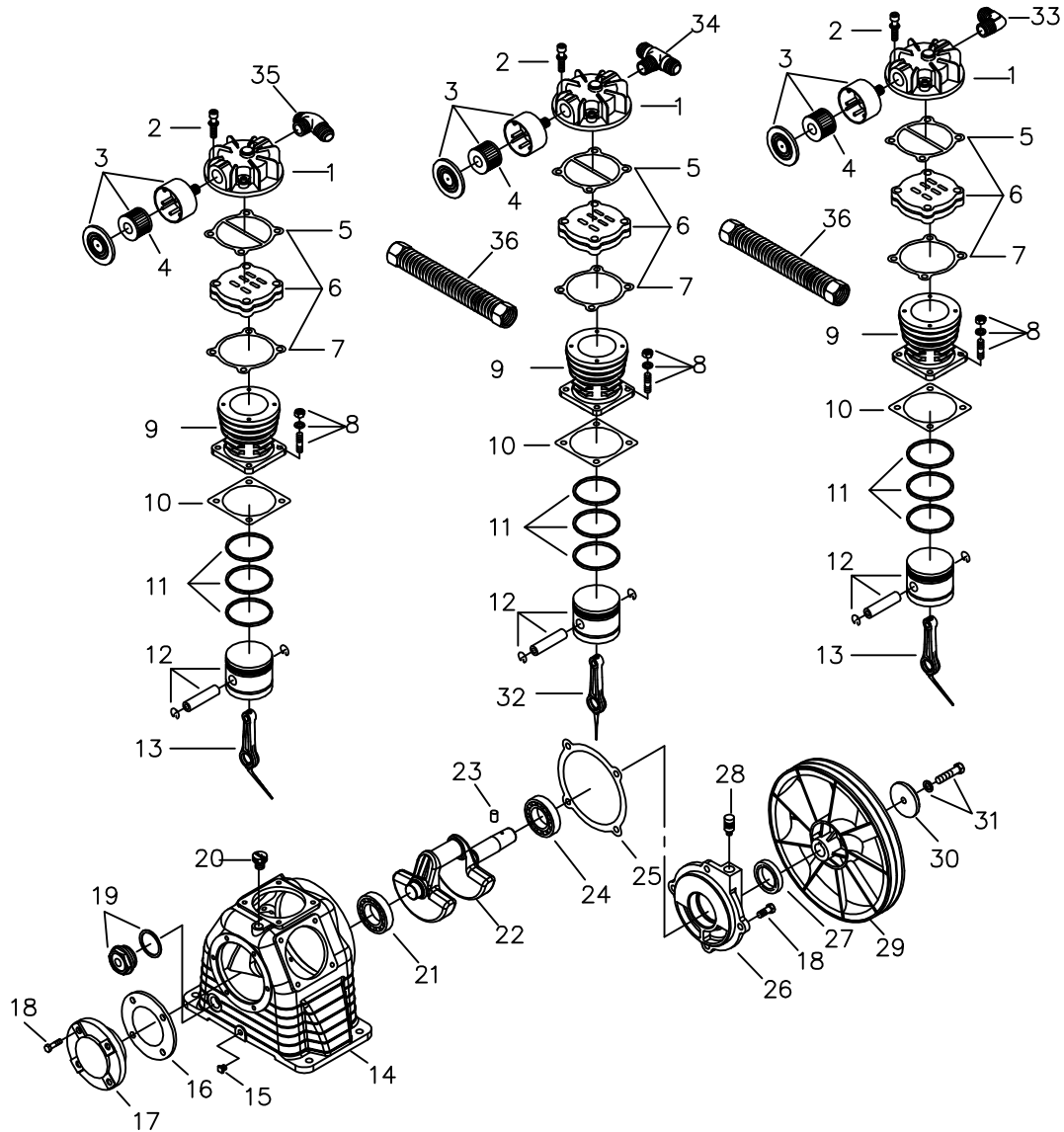
PARTS LIST

Model: PK-7060V

VER.: UF-001

REF. NO.	PARTS ID.	PARTS DESCRIPTION	QUANTITY
1	CK40	PUMP	1.00
2	4001-60V-06	TANK	1.00
3	4027-65-21	MOTOR	1.00
4	1A40X07	PULLEY	1.00
5	2E21-AF276DM	PRESSURE SWITCH (105 ~ 135PSI)	1.00
6	84006009	PRESSURE RELIEF VALVE	1.00
7	050-06MN02FN	BUSHING	1.00
8	2B14-ST02E	PLUG	2.00
9	2413007	SERVICE VALVE	1.00
11	2E02-3530702Y2F	ELECTRIC CABLE	1.00
12	2N33-002	PLUG (OIL DRAIN)	1.00
13	CV3434M	CHECK VALVE	1.00
14	2N06-06T06H	ELBOW	1.00
15	3B2-06540	DISCHARGE TUBE	1.00
16	035-02RN01MN-00	NIPPLE (STRAIGHT TUBE FITTING)	1.00
17	063-CU01X760	TUBE (CHECK VALVE - PRESSURE SWITCH)	1.00
18	2D12-20V20K	PRESSURE GAUGE	1.00
19	2413014N	DRAIN VALVE	1.00
20	2N31-A51	BELT (A51)	1.00
21	3427201	BRACKET - BOTTOM	1.00
24	3426092	BELT GUARD	1.00
25	2140020A	AIR FILTER ASSEMBLY	3.00
26	1807 (2142013)	FILTER ELEMENT	3.00
27	2305008	OIL DRAIN TUBE	1.00
30	035-02NX10-H00	NIPPLE	1.00
32	2N02-02T02NC	ADAPTOR	1.00

MODEL : CK40



SPARE PARTS LIST

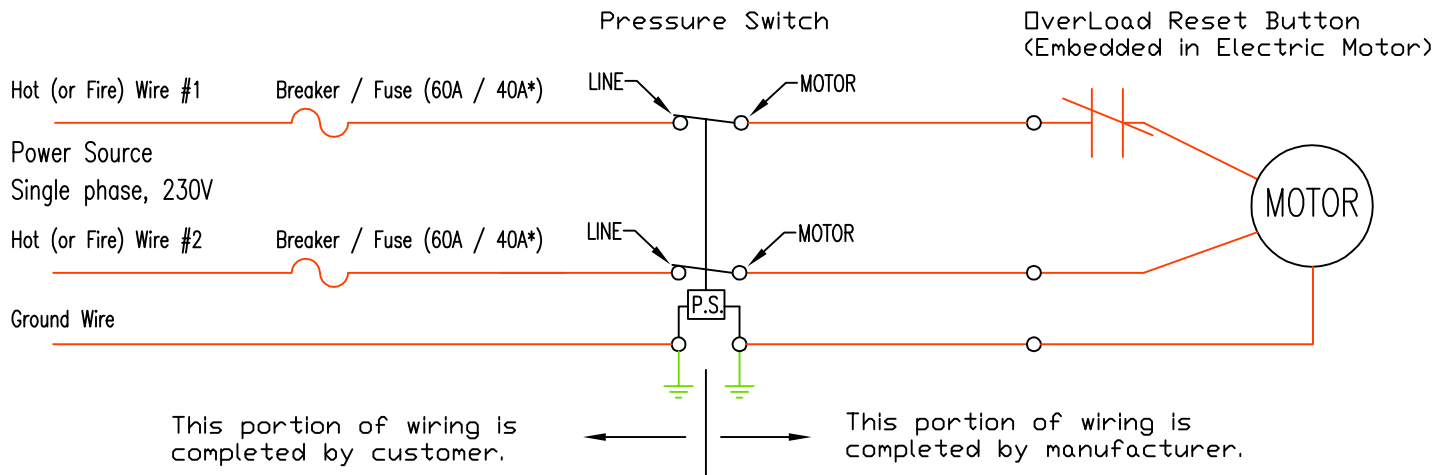
NO: MP-0611

REF. NO.	DESCRIPTION	PART NO.	QTY	REF. NO.	DESCRIPTION	PART NO.	QTY.
1	Cylinder head	3101084A	3	19	Oil sight gauge set	2303014A	1
2	Allen bolt set	2B01-M06*040V	12	20	Oil filling plug set	2319003A	1
3	Air filter set	2140020A	3	21	Bearing	2N35-6205	1
4	Filter element	2142013	3	22	Crankshaft & balancer	3304101	1
5	Cylinder head gasket	2G01-015	3	23	Pulley key	2N47-63*09	1
6	In. & Ex. valve assembly	3B13-K5065	3	24	Bearing	2N35-6205Z	1
7	Valve seat gasket	2G03-010	3	25	Bearing seat gasket	2G06-008	1
8	Stud screw set	2B11-001-A	12	26	Bearing seat	3311034	1
9	Cylinder	3201083	3	27	Oil seal	2N50-TC24*47*07	1
10	Cylinder gasket	2G04-003	3	28	Breather	2321008	1
11	Piston ring set	3B32-CK3065	3	29	Pulley	3PBF-105A124	1
12	Piston set	3B31-CK3065	3	30	Fender washer	2B30-08*35*35	1
13	Rod set	3B33-CT30L	2	31	Hex bolt set	2B00-SM08*035AV	1
14	Crankcase	3301121	1	32	Rod set	3B33-CT30M	1
15	Oil draining plug	2N33-002	1	33	Discharge elbow	2N06-04T04H	1
16	Front cover gasket	2G05-020	1	34	Tee	2N09-04H04T04H4	1
17	Front cover	3309041	1	35	3-way manifold	2N09-04H04T06H2	1
18	Hex bolt	2B00-SM08*020	8	36	Discharge tube set	3B2-04*195	2

Warning: This diagram is for your reference only. Please check with a qualified electrician for wiring to meet your local electrical wiring code.

Manufacturer assumes no responsibility for changes to factory wiring.

Electrical Circuit Diagram:



* The breaker size (trip rating) for Circuit Breaker is suggested at 60A. For Fusible Switch (Melting Style), the 40A dual element time delay fuses are suggested. For correct rating of Breaker and Switch, please consult with a qualified electrician.

** Minimum COPPER wire size : AWG12 (AWG10 is recommended.) The maximum wire length allowed: 10ft. when measured from breaker/switch (power source) to pressure switch (on unit).

*** Voltage: Single Phase 208~230V only. The voltage must be maintained at this range (208V~230V) through out entire compressor operation (from start to stop). Voltage drops below 208V or rises beyond 230V will result in pressure switch and motor failures.