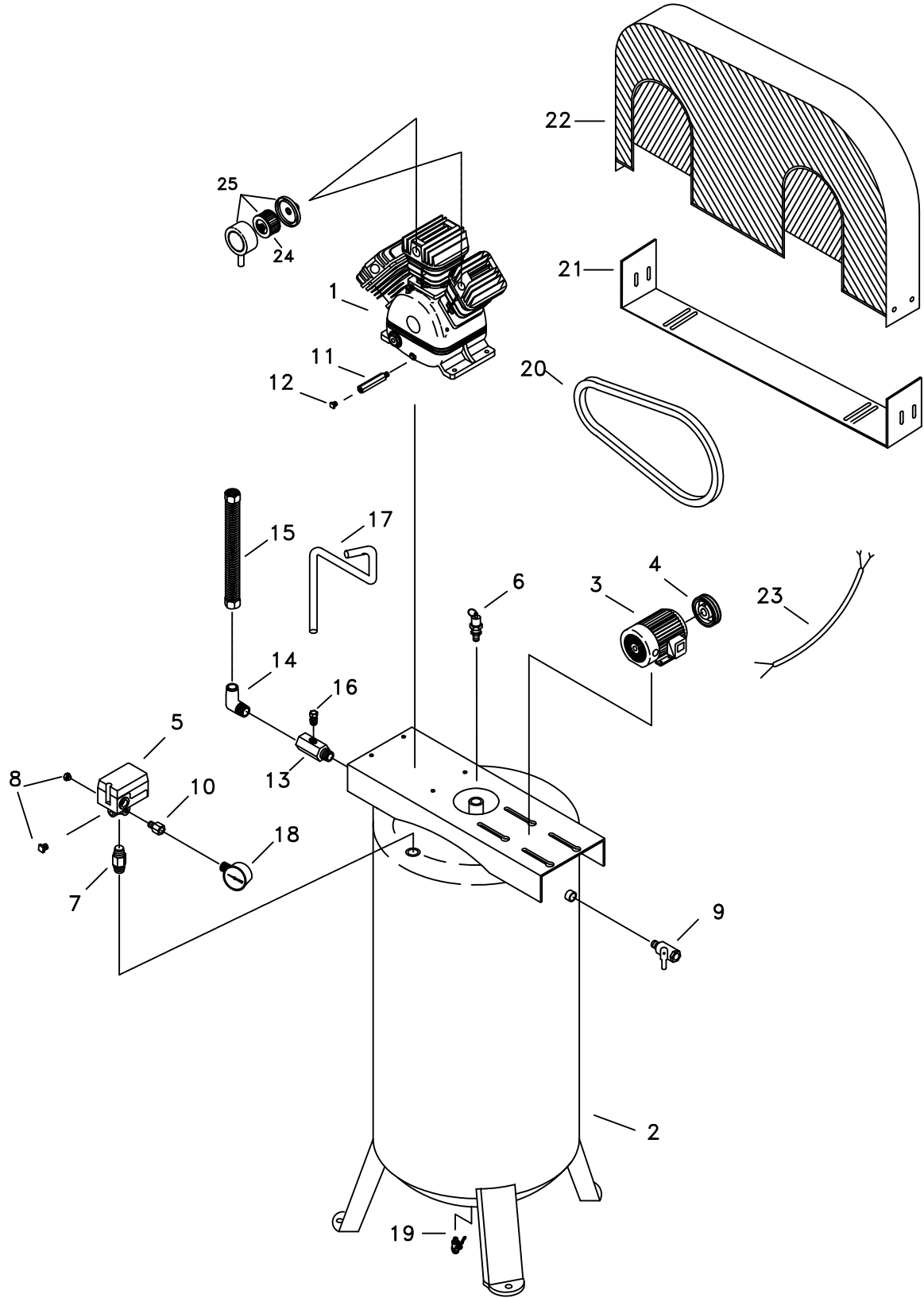


TE-3040V



PUMA INDUSTRIES, INC.
MEMPHIS, TN.
U.S.A.

VER.: WF-001

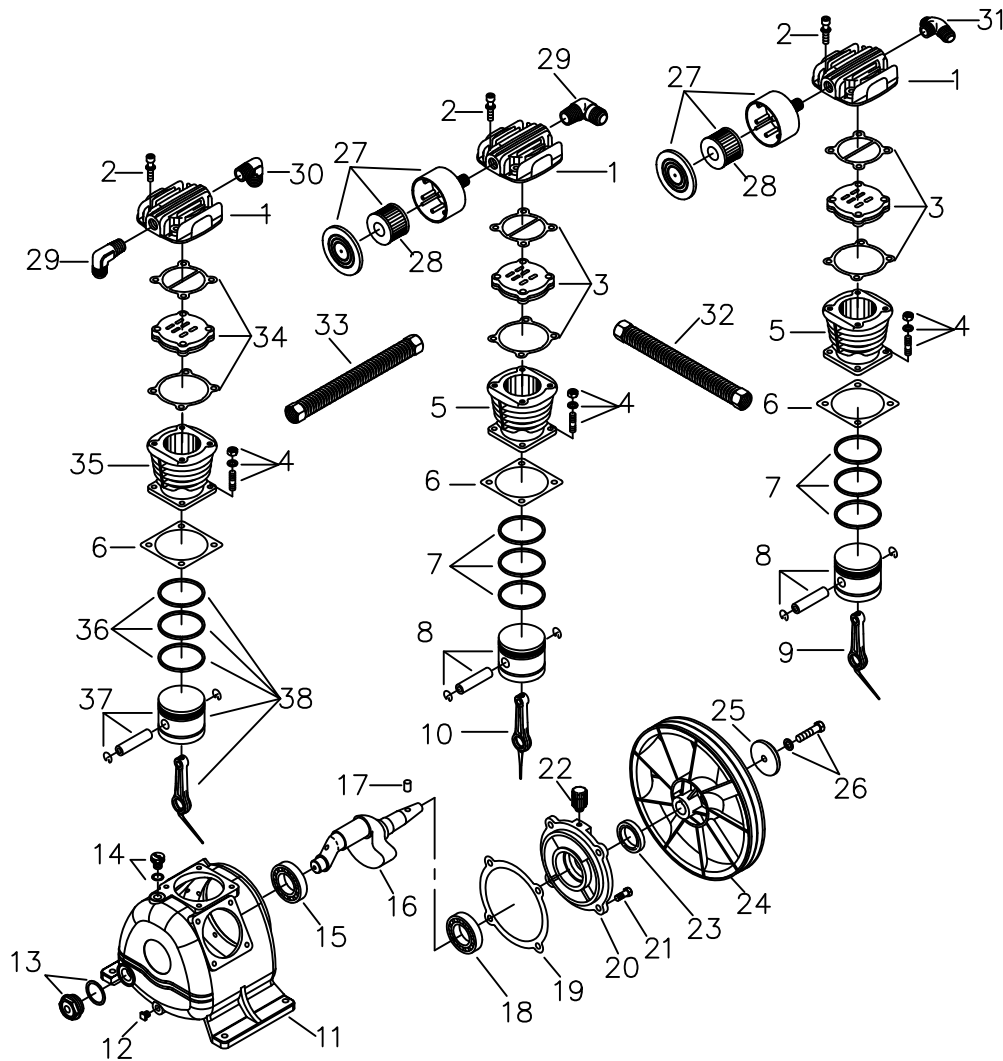
PARTS LIST

Model: TE-3040V

VER.: WF-001

REF. NO.	PARTS ID.	PARTS DESCRIPTION	QUANTITY
1	TE30	PUMP	1.00
2	4001-40V	TANK	1.00
3	4027-6S	MOTOR	1.00
4	1A35X05	PULLEY	1.00
5	2E21-AF357DM	PRESSURE SWITCH (145 ~ 175PSI)	1.00
6	84006010	PRESSURE RELIEF VALVE	1.00
7	2N01-02N02N030	NIPPLE	1.00
8	2B14-SN02E	PLUG	2.00
9	2413007	SERVICE VALVE	1.00
10	2N02-02T02NC	ADAPTOR	1.00
11	2305010	OIL DRAIN TUBE	1.00
12	2N33-002	PLUG (OIL DRAIN)	1.00
13	CV1212M	CHECK VALVE	1.00
14	2N06-04T04H	ELBOW	1.00
15	3B2-04540	DISCHARGE TUBE	1.00
16	035-02RN01MN-00	NIPPLE (STRAIGHT TUBE FITTING)	1.00
17	063-CU01X865	TUBE (CHECK VALVE - PRESSURE SWITCH, 34" L)	1.00
18	2D12-20V20K	PRESSURE GAUGE	1.00
19	2413014N	DRAIN VALVE	1.00
20	2N31-A51	BELT (A51)	1.00
21	3427201	BRACKET - BOTTOM	1.00
22	3426092	BELT GUARD	1.00
23	2E02-3530702Y2F	ELECTRIC CABLE	1.00
24	1807 (2142013)	FILTER ELEMENT	2.00
25	2140019A	AIR FILTER ASSEMBLY	2.00

MODEL : TE30



SPARE PARTS LIST

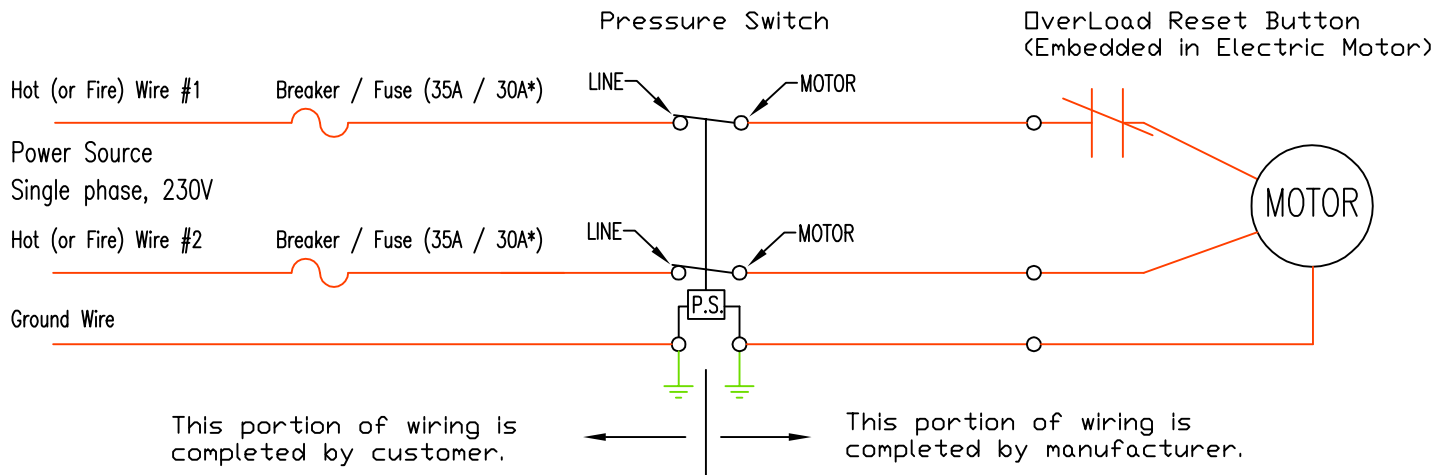
NO.: MP-1306

REF. NO.	DESCRIPTION	PART NO.	QTY.	REF. NO.	DESCRIPTION	PART NO.	QTY.
1	Cylinder head	3101052	3	20	Bearing end	3311036	1
2	Allen bolt set	3B01-M06*040V	12	21	Hex bolt	2B00-SM08*020	4
3	In.& Ex.valve assembly	3B13-K5065C	2	22	Breather	2321008	1
4	Stud Screw	3B11-001-A	12	23	Oil seal	2N50-TC24*47*07	1
5	Cylinder	3201035G	2	24	Pulley (Flywheel)	3PBF-125A124	1
6	Cylinder gasket	2G04-003	3	25	Flat washer	2B30-08*35*35	1
7	Piston ring set	3B32-65N	2	26	Hex bolt set	3B00-SM08*035AV	1
8	Piston set	3B31-65N	2	27	Air filter set	2140019A	2
9	Rod set	3B33-H2048	1	28	Filter element	2142013 (1807)	2
10	Rod set	3B33-H2037	1	29	Elbow	2N06-04T04H	2
11	Crankcase	3301140	1	30	Elbow	2N06-04T04H02NL	1
12	Oil draining plug	2N33-002	1	31	3-way manifold	2N09-04H04T04H2	1
13	Oil sight gauge set	2303022B	1	32	Discharge tube set	3B2-04*205	1
14	Oil filling plug set	2319003A	1	33	Discharge tube set	3B2-04*440	1
15	Bearing	2N35-6205	1	34	In.& Ex.valve assembly	3B13-K5051C	1
16	Crankshaft	3304046	1	35	Cylinder	3201039	1
17	Pulley key	2N47-63*09	1	36	Piston ring set	3B32-51	1
18	Bearing	2N35-6205Z	1	37	Piston set	3B31-TK2351	1
19	Bearing end gasket	2G06-008	1	38	Piston & rod assembly	3B3-TK23	1

Warning: This diagram is for your reference only. Please check with a qualified electrician for wiring to meet your local electrical wiring code.

Manufacturer assumes no responsibility for changes to factory wiring.

Electrical Circuit Diagram:



* The breaker size (trip rating) for Circuit Breaker is suggested at 35A. For Fusible Switch (Melting Style), the 30A dual element time delay fuses are suggested. For correct rating of Breaker and Switch, please consult with a qualified electrician.

** Minimum COPPER wire size : AWG12 (AWG10 is recommended.) The maximum wire length allowed: 10ft. when measured from breaker/switch (power source) to pressure switch (on unit).

*** Voltage: Single Phase 208~230V only. The voltage must be maintained at this range (208V~230V) through out entire compressor operation (from start to stop). Voltage drops below 208V or rises beyond 230V will result in pressure switch and motor failures.