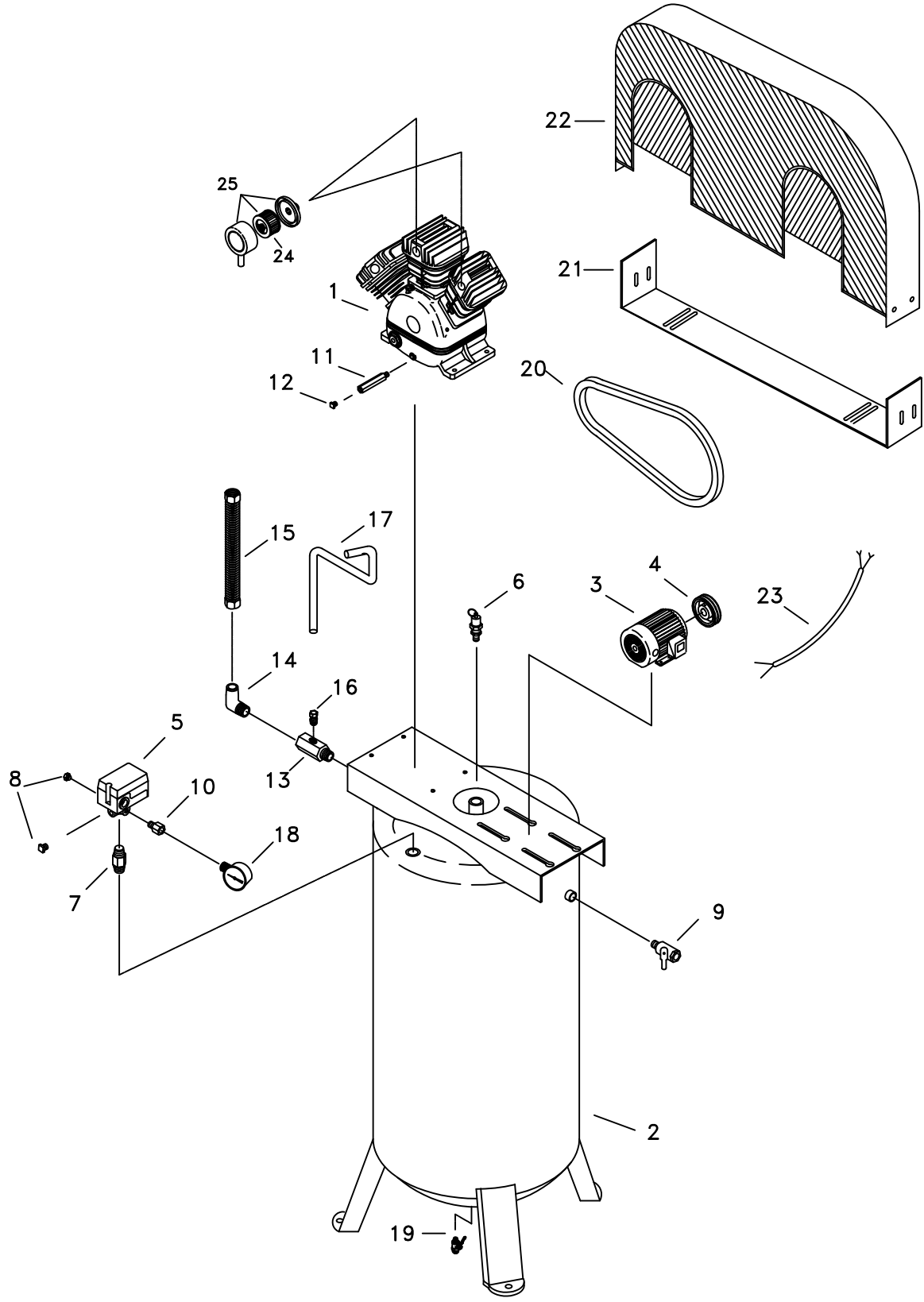


TE-5040V



PUMA INDUSTRIES, INC.
MEMPHIS, TN.
U.S.A.

VER.: WF-001

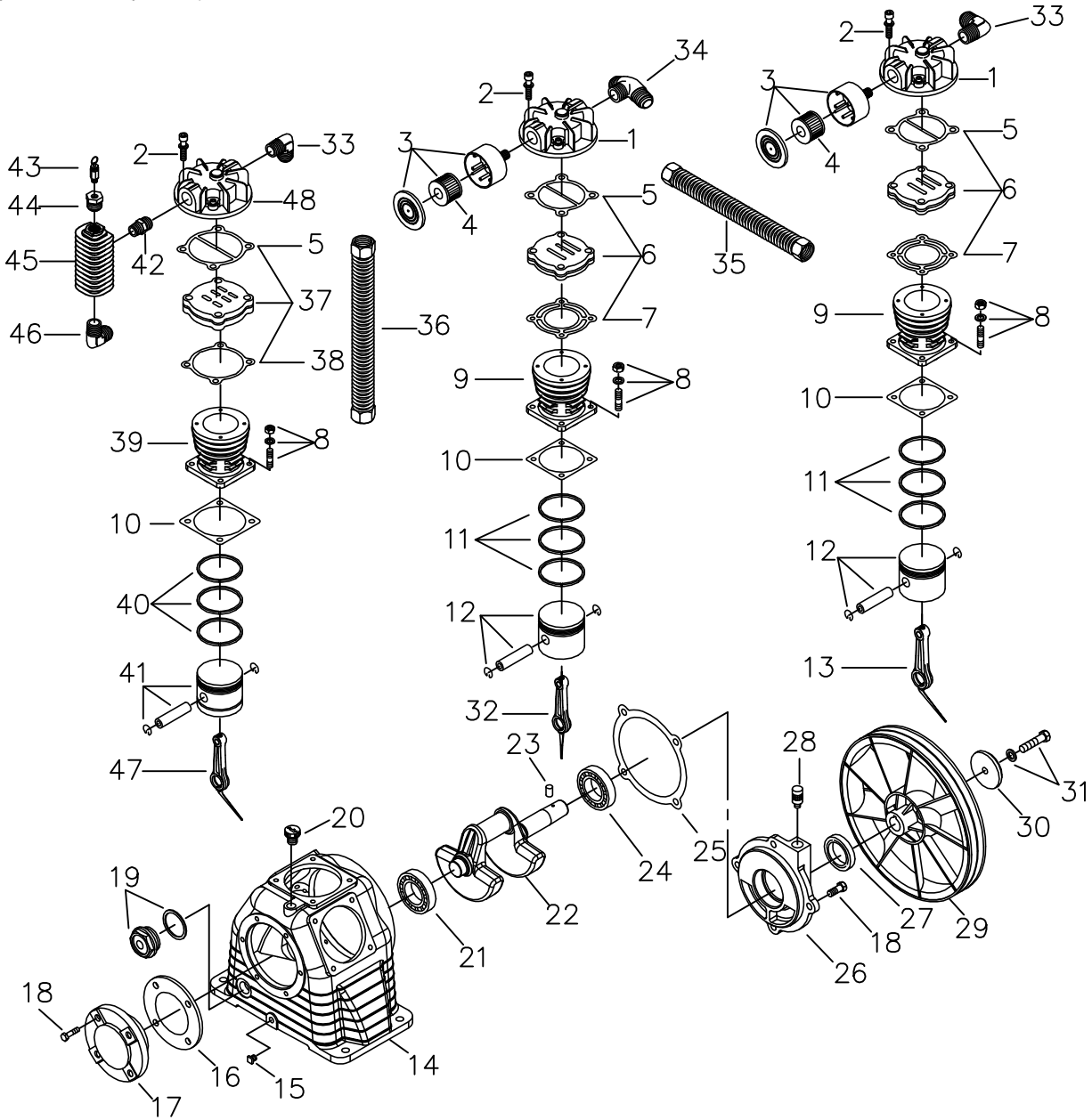
PARTS LIST

Model: TE-5040V

VER.: WF-001

REF. NO.	PARTS ID.	PARTS DESCRIPTION	QUANTITY
1	CT40	PUMP	1.00
2	4001-40V	TANK	1.00
3	4027-65-21-EA	MOTOR	1.00
4	1A35X05	PULLEY	1.00
5	2E21-AF357DM	PRESSURE SWITCH (145 ~ 175PSI)	1.00
6	84006010	PRESSURE RELIEF VALVE	1.00
7	2N01-02N02N030	NIPPLE	1.00
8	2B14-SN02E	PLUG	2.00
9	2413007	SERVICE VALVE	1.00
10	2N02-02T02NC	ADAPTOR	1.00
11	2305010	OIL DRAIN TUBE	1.00
12	2N33-002	PLUG (OIL DRAIN)	1.00
13	CV1212M	CHECK VALVE	1.00
14	2N06-04T04H	ELBOW	1.00
15	3B2-04540	DISCHARGE TUBE	1.00
16	035-02RN01MN-00	NIPPLE (STRAIGHT TUBE FITTING)	1.00
17	063-CU01X865	TUBE (CHECK VALVE - PRESSURE SWITCH, 34" L)	1.00
18	2D12-20V20K	PRESSURE GAUGE	1.00
19	2413014N	DRAIN VALVE	1.00
20	2N31-A51	BELT (A51)	1.00
21	3427201	BRACKET - BOTTOM	1.00
22	3426092	BELT GUARD	1.00
23	2E02-3530702Y2F	ELECTRIC CABLE	1.00
24	1807 (2142013)	FILTER ELEMENT	2.00
25	2140020A	AIR FILTER ASSEMBLY	2.00

MODEL : CT40



SPARE PARTS LIST

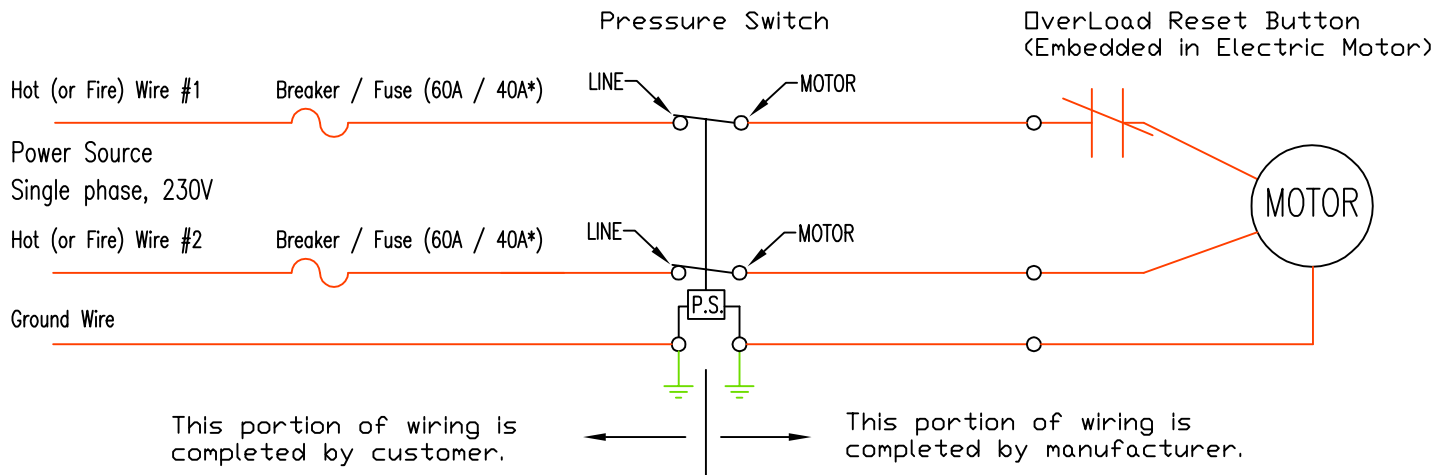
NO: MP-0611

REF. NO.	DESCRIPTION	PART NO.	QTY	REF. NO.	DESCRIPTION	PART NO.	QTY
1	Cylinder head	3101084A	2	25	Rear bearing end gasket	2G06-008	1
2	Allen bolt set	2B01-M06*040V	12	26	Rear bearing end	3311034	1
3	Air filter set	2140020A	2	27	Oil seal	2N50-TC24*47*07	1
4	Filter element	2142013	2	28	Breather	2321008	1
5	Cylinder head gasket	2G01-015	3	29	Pulley	3PBF-125A124	1
6	In. & Ex. valve assembly	3B13-K5065	2	30	Fender washer	2B30-08*35*35	1
7	Valve seat gasket	2G03-010	2	31	Hex bolt set	2B00-SM08*035AV	1
8	Stud screw set	2B11-001-A	12	32	Rod set	3B33-CT30M	1
9	Cylinder	3201083	2	33	Discharge elbow	2N06-04T04H	2
10	Cylinder gasket	2G04-003	3	34	Three way manifold	2N09-04H04T04H2	1
11	Piston ring set	3B32-CK3065	2	35	Discharge tube set	3B2-04*205	1
12	Piston set	3B31-CK3065	2	36	Discharge tube set	3B2-04*400	1
13	Rod set	3B33-CT30L	1	37	In. & Ex. valve assembly	3B13-K5051	1
14	Crankcase	3301121	1	38	Valve seat gasket	2G03-011	1
15	Oil draining plug	2N33-002	1	39	Cylinder	3201082	1
16	Front cover gasket	2G05-020	1	40	Piston ring set	3B32-CK2051	1
17	Front cover	3309041	1	41	Piston set	3B31-CT4051H	1
18	Hex bolt	2B00-SM08*020	8	42	Nipple	2N01-04T04T	1
19	Oil sight gauge set	2303014A	1	43	Pressure relief valve	2406020T	1
20	Oil filling plug set	2319003A	1	44	Bushing	2N02-002	1
21	Bearing	2N35-6205	1	45	Intercooler	3125007	1
22	Crankshaft & balancer	3304101	1	46	Discharge elbow	2N06-06T04H	1
23	Pulley key	2N47-63*09	1	47	Rod set	3B33-CT40H	1
24	Bearing	2N35-6205Z	1	48	Cylinder head	3101090A	1

Warning: This diagram is for your reference only. Please check with a qualified electrician for wiring to meet your local electrical wiring code.

Manufacturer assumes no responsibility for changes to factory wiring.

Electrical Circuit Diagram:



* The breaker size (trip rating) for Circuit Breaker is suggested at 60A. For Fusible Switch (Melting Style), the 40A dual element time delay fuses are suggested. For correct rating of Breaker and Switch, please consult with a qualified electrician.

** Minimum COPPER wire size : AWG12 (AWG10 is recommended.) The maximum wire length allowed: 10ft. when measured from breaker/switch (power source) to pressure switch (on unit).

*** Voltage: Single Phase 208~230V only. The voltage must be maintained at this range (208V~230V) through out entire compressor operation (from start to stop). Voltage drops below 208V or rises beyond 230V will result in pressure switch and motor failures.