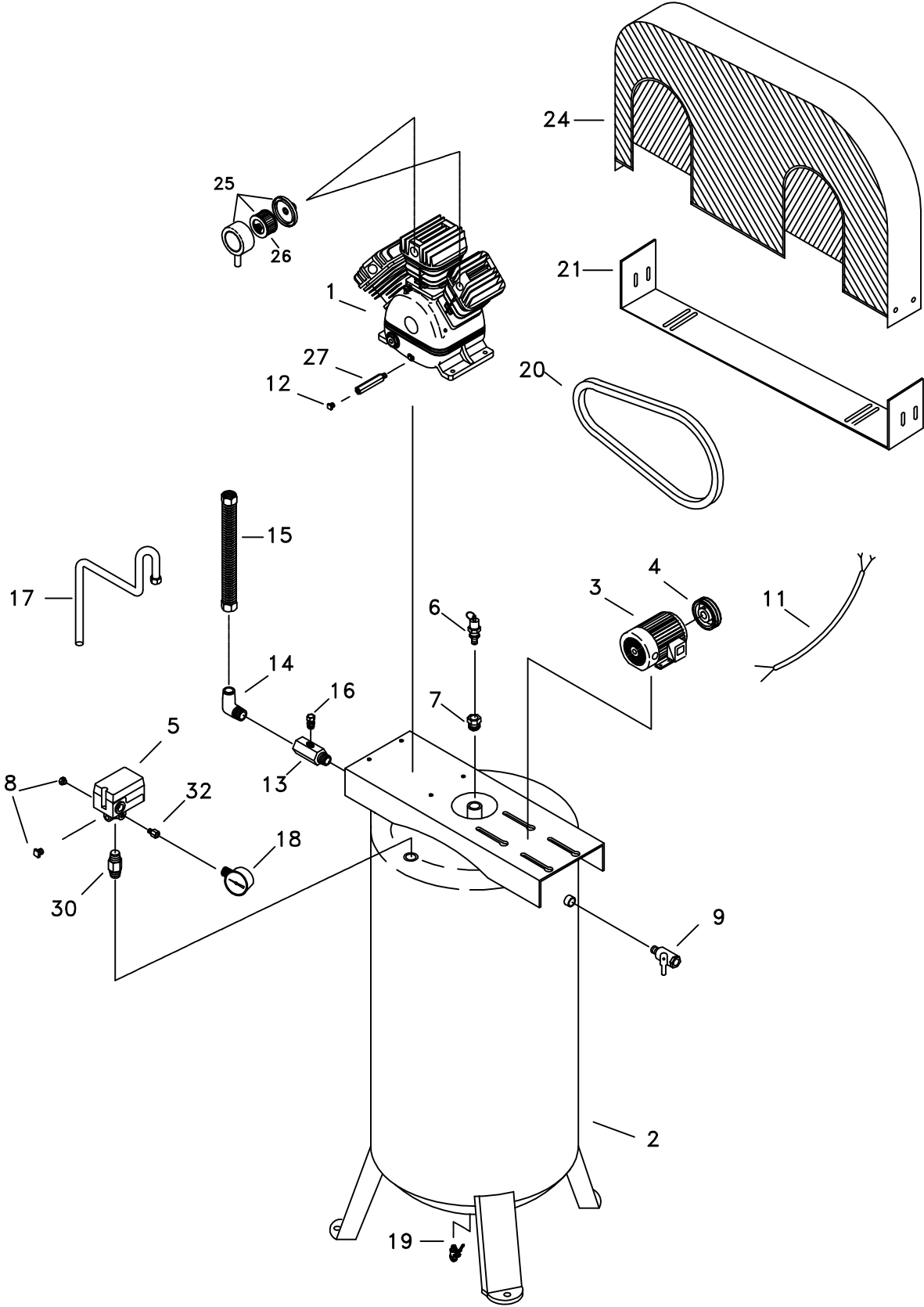


TE-5080V



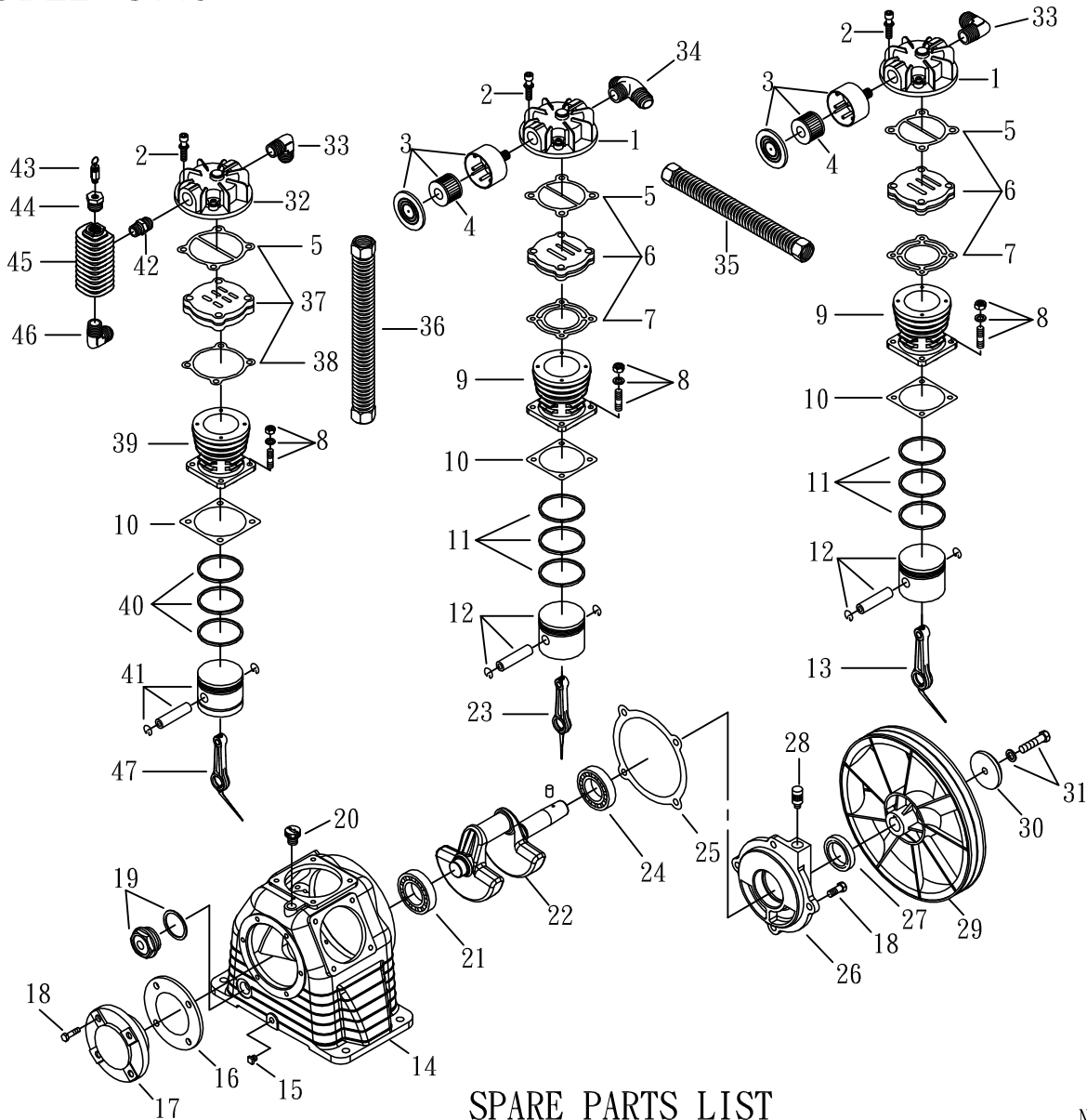
PARTS LIST

Model: TE-5080V

VER.: UE-001

REF. NO.	PARTS ID.	PARTS DESCRIPTION	QUANTITY
1	CT40	PUMP	1.00
2	4001-80V	TANK	1.00
3	4027-65-21-EA	MOTOR	1.00
4	1A35X07	PULLEY	1.00
5	2E21-AF357DM	PRESSURE SWITCH (145 ~ 175PSI)	1.00
6	84006010	PRESSURE RELIEF VALVE	1.00
7	050-06MN02FN	BUSHING	1.00
8	2B14-SN02E	PLUG	2.00
9	2413007	SERVICE VALVE	1.00
11	2E02-3530702Y2F	ELECTRIC CABLE	1.00
12	2N33-002	PLUG (OIL DRAIN)	1.00
13	CV3434M	CHECK VALVE	1.00
14	024-06N04NF90D1	ELBOW	1.00
15	3B2-04540	DISCHARGE TUBE	1.00
16	035-02RN01MN-00	NIPPLE (STRAIGHT TUBE FITTING)	1.00
17	063-CU01X760	TUBE (CHECK VALVE - PRESSURE SWITCH)	1.00
18	2D12-20V20K	PRESSURE GAUGE	1.00
19	2413014N	DRAIN VALVE	1.00
20	2N31-A51	BELT (A51)	1.00
21	3427201	BRACKET - BOTTOM	1.00
24	3426092	BELT GUARD	1.00
25	2140020A	AIR FILTER ASSEMBLY	2.00
26	1807 (2142013)	FILTER ELEMENT	2.00
27	2305010	OIL DRAIN TUBE	1.00
30	2N01-02N02N030	NIPPLE	1.00
32	2N02-02T02NC	ADAPTOR	1.00

MODEL : CT40



SPARE PARTS LIST

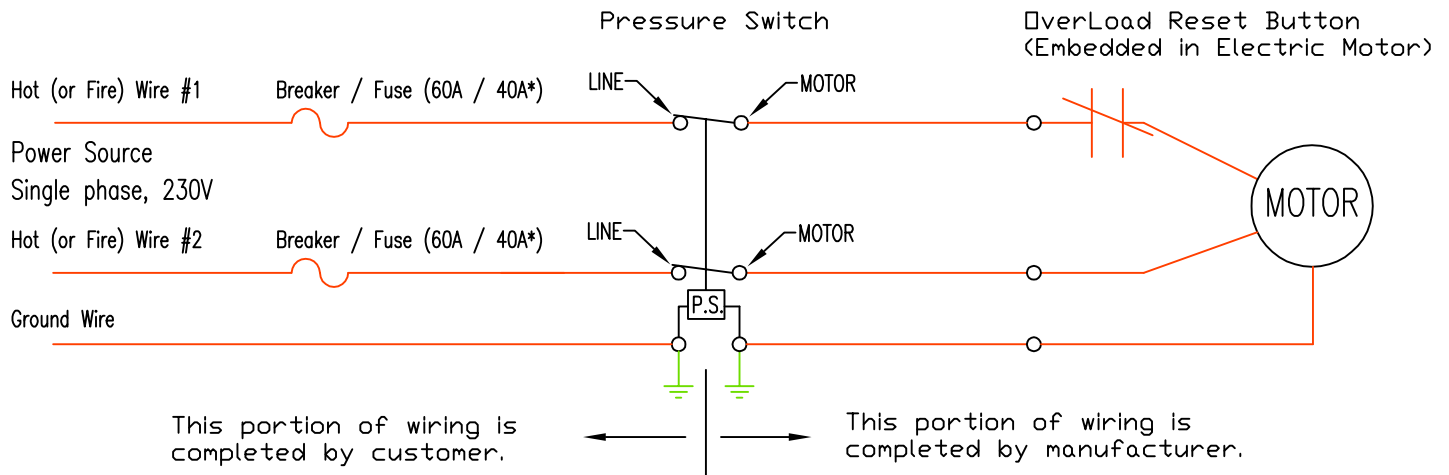
NO:MP-1401

REF. NO.	DESCRIPTION	PART NO.	QTY.	REF. NO.	DESCRIPTION	PART NO.	QTY.
1	Cylinder head	3101084A	2	25	Rear bearing seat gasket	2G06-008	1
2	Allen bolt set	3B01-M06*040V	12	26	Rear bearing seat	3311034	1
3	Air filter set	2140020A	2	27	Oil seal	2N50-TC24*47*07	1
4	Filter element	2142013	2	28	Breathing cover	2321008	1
5	Cylinder head gasket	2G01-015C	3	29	Pulley	3PBF-125A124	1
6	In. & Ex. valve assembly	3B13-K5065C	2	30	Plate washer	2B30-08*35*35	1
7	Valve seat gasket	2G03-010H	2	31	Hexagon bolt set	3B00-SM08*035AV	1
8	Double head screw set	3B11-001-A	12	32	Cylinder head	3101090A	1
9	Cylinder	3201083	2	33	Exhaust elbow	2N06-04T04H	2
10	Cylinder gasket	2G04-003	3	34	Exhaust three way pipe	2N09-04H04T04H2	1
11	Piston ring set	3B32-65N	2	35	Exhaust tube set	3B2-04*205	1
12	Piston set	3B31-65N	2	36	Exhaust tube set	3B2-04*380	1
13	Rod set	3B33-CT30L	1	37	In. & Ex. valve assembly	3B13-K5051C	1
14	Crankcase	3301121	1	38	Valve seat gasket	2G03-011H	1
15	Oil draining plug	2N33-002	1	39	Cylinder	3201082	1
16	Front cover gasket	2G05-020	1	40	Piston ring set	3B32-51N	1
17	Front cover	3309044A	1	41	Piston set	3B31-CT4051H	1
18	Hexagon bolt	2B00-SM08*020	8	42	Nipple	2N01-04T04TS	1
19	Oil sight gauge set	2303022B	1	43	Pressure relief valve	2406020A	1
20	Oil filling plug set	2319003A	1	44	Bushing	2N02-002	1
21	Bearing	2N35-6205	1	45	Spare tank	3125007	1
22	Crankshaft & balancer	3304101	1	46	Exhaust elbow	2N06-06T04H	1
23	Rod set	3B33-CT30M	1	47	Rod set	3B33-CT40H	1
24	Bearing	2N35-6205Z	1				

Warning: This diagram is for your reference only. Please check with a qualified electrician for wiring to meet your local electrical wiring code.

Manufacturer assumes no responsibility for changes to factory wiring.

Electrical Circuit Diagram:



* The breaker size (trip rating) for Circuit Breaker is suggested at 60A. For Fusible Switch (Melting Style), the 40A dual element time delay fuses are suggested. For correct rating of Breaker and Switch, please consult with a qualified electrician.

** Minimum COPPER wire size : AWG12 (AWG10 is recommended.) The maximum wire length allowed: 10ft. when measured from breaker/switch (power source) to pressure switch (on unit).

*** Voltage: Single Phase 208~230V only. The voltage must be maintained at this range (208V~230V) through out entire compressor operation (from start to stop). Voltage drops below 208V or rises beyond 230V will result in pressure switch and motor failures.