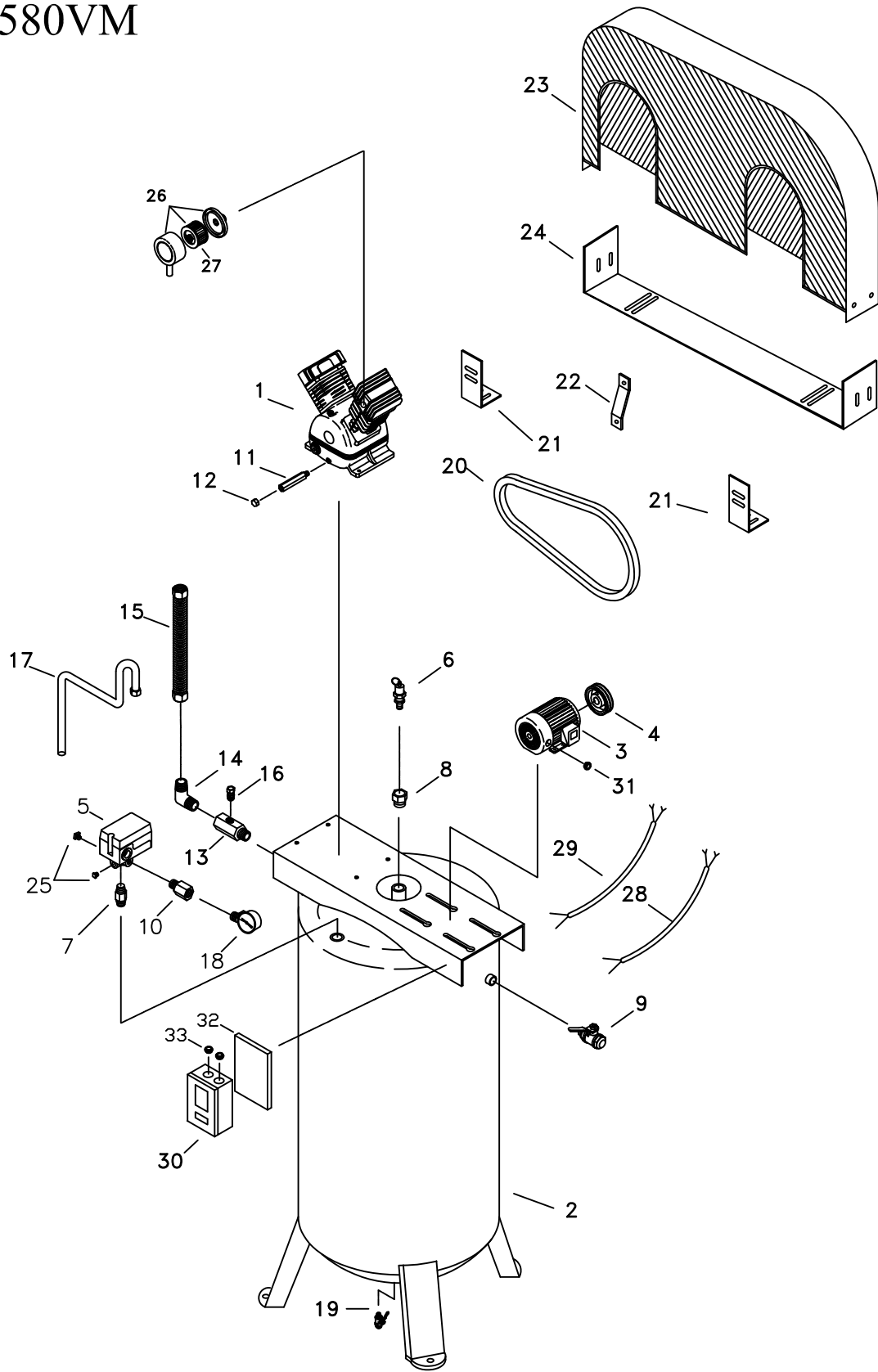
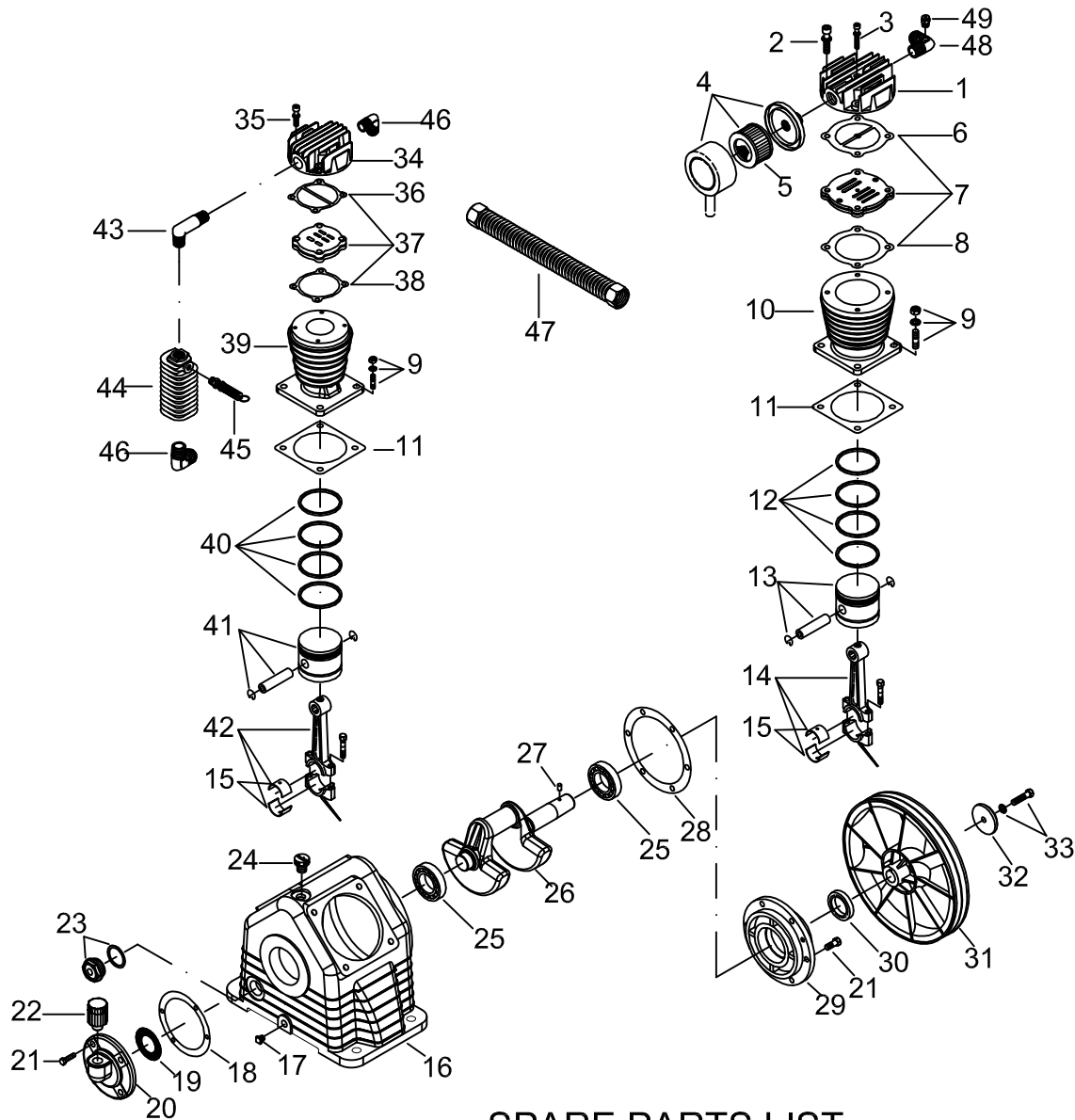


# TN-6580VM



REF. NO.	ITEM NUMBER	DESCRIPTION	QTY.
1	CT51	PUMP	1
2	4001-80V	TANK	1
3	4027-65-21	MOTOR	1
4	1A40X07	PULLEY	1
5	2E21-AF357DM	PRESSURE SWITCH (P.S.)	1
6	84006010	PRESSURE RELIEF VALVE	1
7	2N01-02N02N030	NIPPLE	1
8	050-06MN02FN	BUSHING	1
9	2413007	SERVICE VALVE	1
10	2N02-02T02NC	ADAPTOR	1
11	2305010	OIL DRAIN TUBE	1
12	2N33-002	PLUG	1
13	CV3434M	CHECK VALVE	1
14	2N06-06T06H	ELBOW	1
15	3B2-06610	DISCHARGE TUBE SET	1
16	035-02RN01MN-00	NIPPLE	1
17	063-CU01X865	UNLOADING TUBE	1
18	2D12-20V20K	PRESSURE GAUGE	1
19	2413020	DRAIN VALVE	1
20	2N31-A64	V-BELT	1
21	3427028	BRACKET	2
22	3427015	BRACKET	1
23	3426024	BELT GUARD	1
24	3427202	BELT GUARD BOTTOM COVER	1
25	2B14-SN02E	PLUG	2
26	2140009	AIR FILTER ASSEMBLY	1
27	1801	FILTER ELEMENT	1
28	2E02-3530702Y2F	CABLE (P.S. to M.S.)	1
29	025K-A10W3X750	CABLE (M.S. to MOTOR)	1
30	MS-50-1S	MAGNETIC STARTER (M.S.)	1
31	025A-03N-000	WIRE CLAMP	1
32	3417010	BRACKET (FOR M.S.)	1
33	025A-10N-000	WIRE CLAMP	2

# MODEL : CT51



## SPARE PARTS LIST

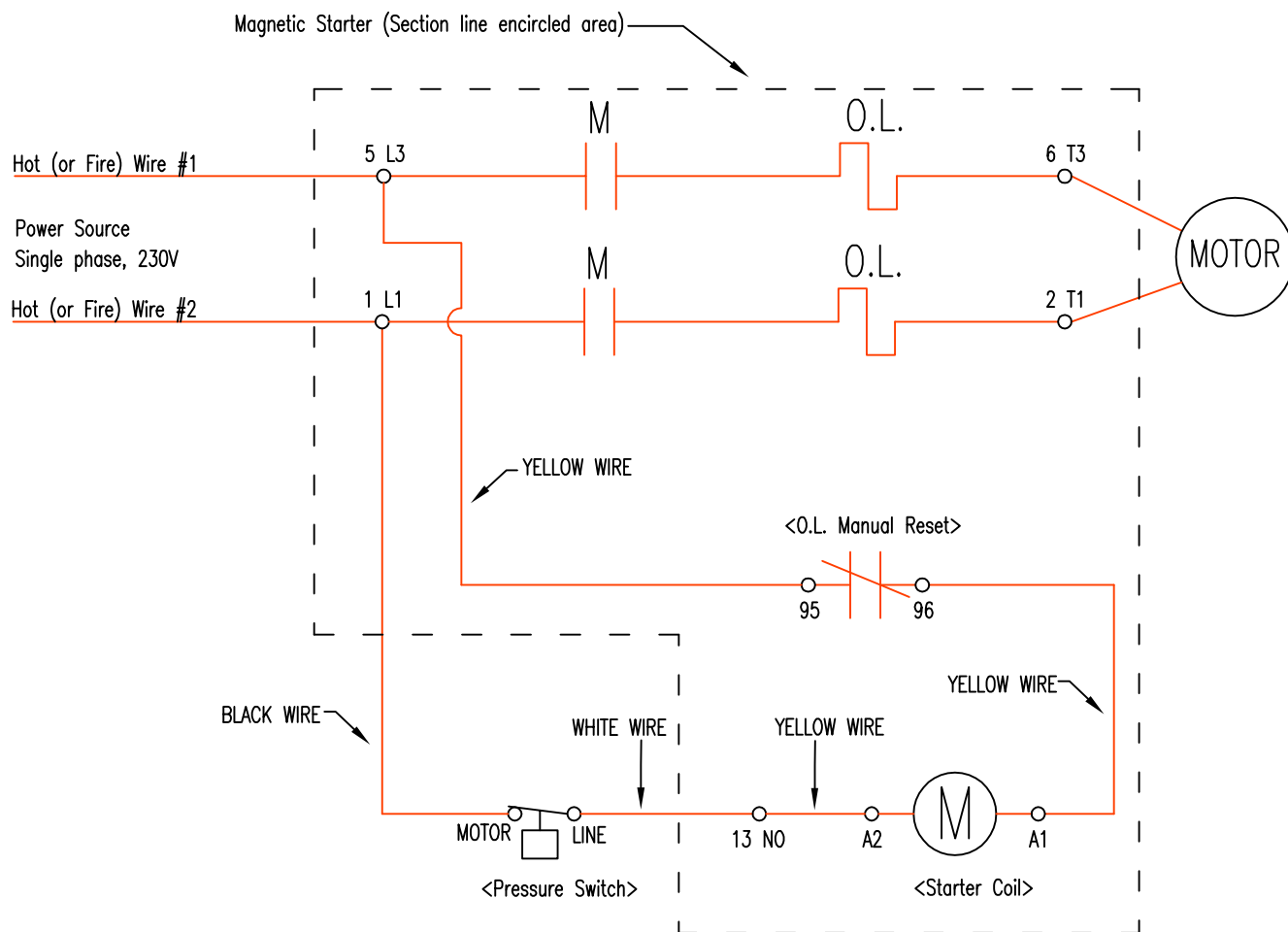
NO: MP-0410

REF. NO.	DESCRIPTION	PART NO.	QTY	REF. NO.	DESCRIPTION	PART NO.	QTY.
1	Cylinder head	3101070	1	26	Crankshaft & Counterweight	3304093	1
2	Hex Socket Bolt (Allen bolt)	2B01-M10*050V	4	27	Pulley key	2N47-63*09	1
3	Hex Socket Bolt (Allen bolt)	2B01-M06*050V	4	28	Rear bearing end gasket	2G06-022	1
4	Air filter Assembly	2140009A	1	29	Rear bearing end	3311032	1
5	Filter element	1801 (2142002)	1	30	Oil seal	2N50-TC30*50*11	1
6	Cylinder head gasket	2G01-029	1	31	Pulley	3PBF-160A230	1
7	In. & Ex. valve assembly	3B13-K9595	1	32	Flat washer	2B34-13*52*14	1
8	Valve plate gasket	2G03-020	1	33	Hex bolt	2B00-SM12*050V	1
9	Stud Screw	2B11-003-A	8	34	Cylinder head	3101069	1
10	Cylinder	3201076	1	35	Hex Socket Bolt (Allen bolt)	2B01-M06*040V	4
11	Cylinder gasket	2G04-023	2	36	Cylinder head gasket	2G01-015	1
12	Piston ring kit	3B32-CK7595	1	37	In. & Ex. valve assembly	3B13-K5151	1
13	Piston kit	3B31-CK7595	1	38	Valve plate gasket	2G03-011	1
14	Rod kit	3B33-CK7548	1	39	Cylinder	3201077	1
15	Bearing (Rod bushing)	2316010-B	2	40	Piston ring kit	3B32-CT5051	1
16	Crankcase	3301112	1	41	Piston kit	3B31-CT5051	1
17	Plug - Oil draining	2N33-002	1	42	Rod kit	3B33-CT5048	1
18	Front bearing end gasket	2G05-017	1	43	Elbow	2N06-06T06T85	1
19	Oil mesh	2352001	1	44	Intercooler	3125001	1
20	Front bearing end	3309033	1	45	Pressure relief valve	2406021T	1
21	Hex bolt	2B00-SM08*025	10	46	Elbow	2N06-06T06H	2
22	Breather	2321008	1	47	Discharge tube	3B2-06*610	1
23	Oil sight gauge kit	2303014A	1	48	Elbow	2N06-06T06H02T	1
24	Oil filling Cap kit	2319003A	1	49	Auto relief valve (10 PSI)	2409003	1
25	Bearing	2N35-6206	2				

Warning: This diagram is for your reference only. Please check with a qualified electrician for wiring to meet your local electrical wiring code.

Manufacturer assumes no responsibility for changes to factory wiring.

Electrical Circuit Diagram: (For Shihlin model : S-P30T starter)



P.S. Ground (Green) wires are not shown in this drawing.

Additional instructions and warning:

\* The breaker size (trip rating) for Circuit Breaker (trip style) is suggested at 60A. For Fusible Switch (Melting Style), the 40A dual element time delay fuses are suggested. For correct rating of Breaker and Switch, please consult with a qualified electrician.

\*\* Minimum COPPER wire size : AWG10 The maximum wire length allowed: 10ft. when measured from breaker/switch (power source) to magnetic starter (on unit).

\*\*\* Voltage: Single Phase 208~230V only. The voltage must be maintained at this range (208V~230V) through out entire compressor operation (from start to stop). Voltage drops below 208V or rises beyond 230V will result in motor and starter failures.

WARNING: ONLY wire power lines to magnetic starter (5L3 & 1L1). NEVER wire them to pressure switch.