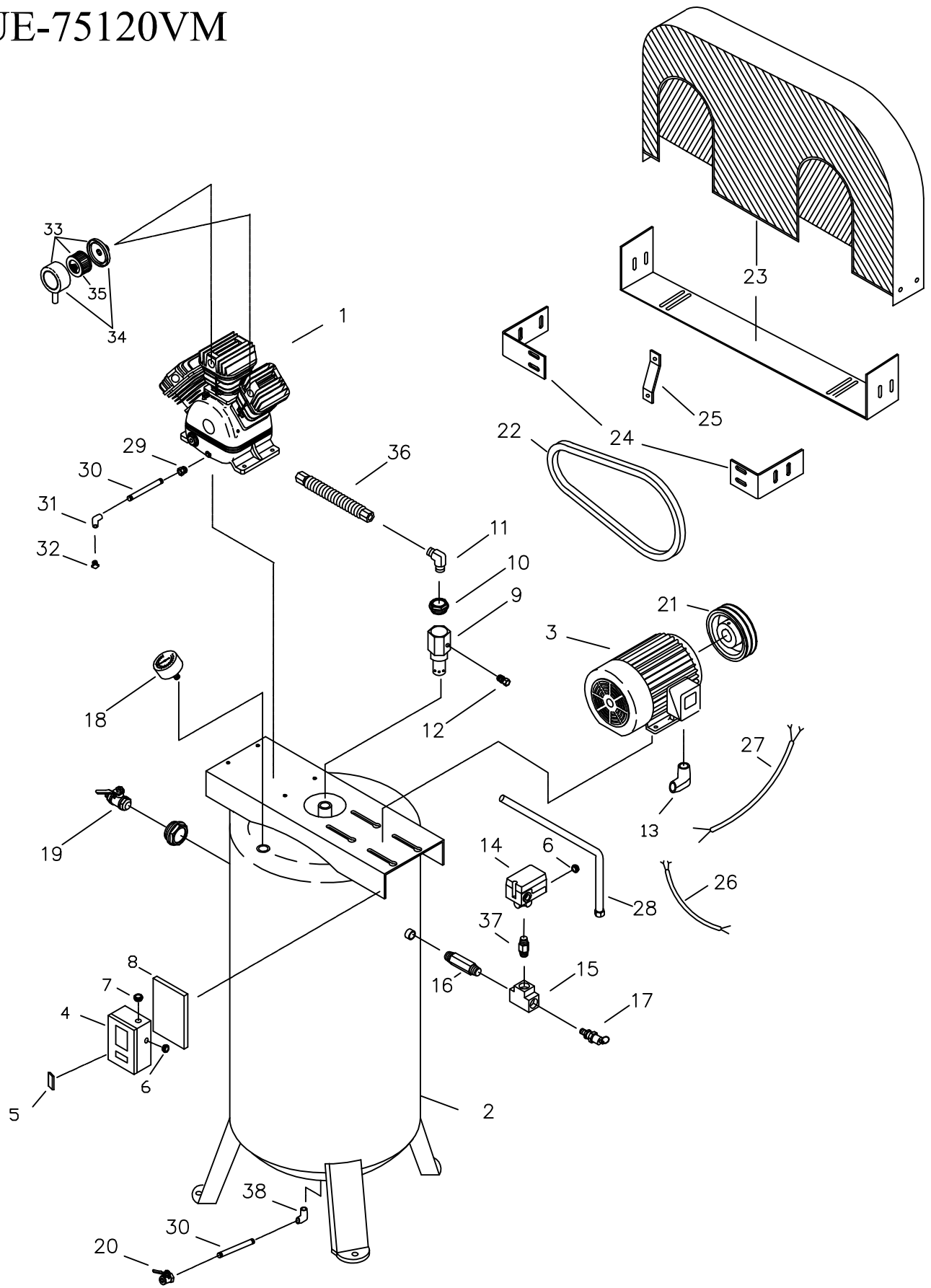


TUE-75120VM



PARTS LIST

Model: TUE-75120VM

VERSION: OF-027A.R01

| REF. NO. | PARTS ID | DESCRIPTION | QUANTITY |
|----------|-----------------|--|----------|
| 1 | TK-50 | PUMP | 1.00 |
| 2 | 4001-120V | TANK | 1.00 |
| | 050-20MN04FN | BUSHING (LEFT) | 1.00 |
| | 050-20MN02FN | BUSHING (BOTTOM) | 1.00 |
| 3 | 4027-75-21 | MOTOR | 1.00 |
| 4 | MS-75-1 | MAGNETIC STARTER | 1.00 |
| 5 | B-45 | HEATER ELEMENT (FUSE) | 1.00 |
| 6 | 025A-03N-000 | WIRE CLAMP | 2.00 |
| 7 | 025A-06N-000 | WIRE CLAMP | 1.00 |
| 8 | 3417010 | BRACKET - (for STARTER) | 1.00 |
| 9 | CV1010M | CHECK VALVE | 1.00 |
| 10 | 050-10MN06FN | BUSHING | 1.00 |
| 11 | 2N06-06T06H | ELBOW | 1.00 |
| 12 | 035-02RN01MN-00 | NIPPLE (STRAIGHT TUBE FITTING) | 1.00 |
| 13 | 025A-06N90D-00 | WIRE CLAMP (w/ 90 degree elbow) | 1.00 |
| 14 | 056-LF175P1-M01 | PRESSURE SWITCH | 1.00 |
| 15 | 067-02FFFNB-00 | TEE | 1.00 |
| 16 | 2N01-016 | NIPPLE | 1.00 |
| 17 | 84006010 | PRESSURE RELIEF VALVE | 1.00 |
| 18 | 2D12-25D20K | PRESSURE GAUGE | 1.00 |
| 19 | 2413007 | SERVICE VALVE | 1.00 |
| 20 | 2413020N | DRAIN VALVE | 1.00 |
| 21 | 2AL44 | PULLEY | 1.00 |
| 21 | 048A-11SS-001 | PULLEY BUSHING | 1.00 |
| 22 | 2N31-A66 | BELT (A66) | 2.00 |
| 23 | 3427009 | BRACKET - BOTTOM | 1.00 |
| 23 | 3426024 | BELT GUARD | 1.00 |
| 24 | 3427028 | BRACKET | 2.00 |
| 25 | 3427015 | BRACKET - CENTER | 1.00 |
| 26 | 025-A08W1BX540 | ELECTRIC CABLE (STARTER - MOTOR) | 2.00 |
| 26 | 025-A12W1GX540 | GROUND CABLE (STARTER - MOTOR) | 1.00 |
| 26 | 025C-A04X330 | ALUMINUM CABLE CONDUIT | 1.00 |
| 27 | 2E02-3530702Y2F | ELECTRIC CABLE (STARTER - PRESSURE SWITCH) | 1.00 |
| 28 | 063-CU01X710 | TUBE (CHECK VALVE - PRESSURE SWITCH) | 1.00 |
| 29 | 2N02-02T02NC | ADAPTOR | 1.00 |
| 30 | 035-02NX54-R00 | NIPPLE | 2.00 |
| 31 | 024-02FFN90D-00 | ELBOW | 1.00 |
| 32 | 046-02N-SH00 | PLUG | 1.00 |
| 33 | 2140009A | AIR FILTER ASSEMBLY | 2.00 |
| 34 | 2140009 | AIR FILTER HOUSING | 2.00 |
| 35 | 1801 (2142002) | FILTER ELEMENT | 2.00 |
| 36 | 3B2-06800 | DISCHARGE TUBE | 1.00 |
| 37 | 035-02NX10-H00 | NIPPLE | 1.00 |
| 38 | 024-02MFN90D-00 | STREET ELBOW | 1.00 |

Wiring Schematic For PUMA Model: TUE-75120VM

Warning: This diagram is for your reference only. Please check with a qualified electrician for wiring to meet your local electrical wiring code. Manufacturer assumes no responsibility for changes to factory wiring.

