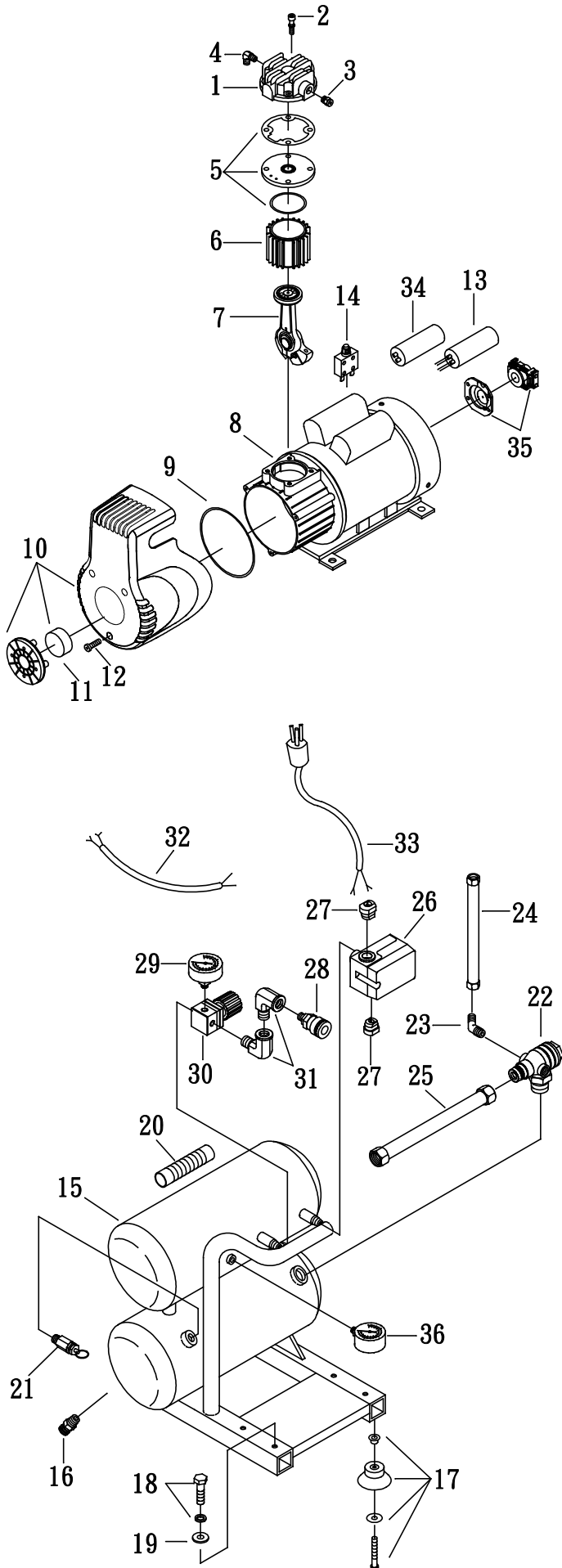


# MODEL : LA-9021

## SPARE PARTS LIST

NO : MP-1302



REF. NO.	DESCRIPTION	PART NO.	QTY.
1	Cylinder head	3101096	1
2	Allen bolt set	2B01-M06*080V	4
3	Auto relief valve	2409003	1
4	Exhaust elbow	2N06-02T03HL	1
5	Exhaust valve seat set	3B11-A9000A	1
6	Cylinder	3201061	1
7	Rod set	3B34-A9000	1
8	Motor set	3B8-MB9002S	1
9	Front cover gasket	2G07-009	1
10	Shroud	2428036	1
11	Filter element	2142014	1
12	Bolt	2B02-FM5*015	3
13	Running capacitor	2E27-060F2540	1
14	Circuit breaker	2E25-18A	1
15	Air tank	3401427	1
16	Drain valve	2405011	1
17	Rubber pad set	2433005A	4
18	Hexagon bolt set	2B00-FM08*015V	4
19	Rubber gasket	2439008	4
20	Grip	2432003	1
21	Pressure relief valve	2406018A	1
22	Check valve	2414036X	1
23	Unloading elbow	2N06-01T02H	1
24	Unloading tube	3B2-02*260F	1
25	Exhaust soft tube	2T02-03*0270	1
26	Pressure switch	2E21-CA276AP	1
27	Strain relief bushing	2E04-010	3
28	Quick coupler	07MSO1/4M-B	1
29	Pressure gauge	2D12-15D15KS	1
30	Regulator	2408008LNX	1
31	Elbow	2N08-02T02TEC	2
32	Cable	2E02-2030382Y2T	1
33	Power cable	2E01-012	1
34	Starting capacitor	2E28-300F1240	1
35	Centrifugal switch set	2E24-14062P	1
36	Pressure gauge	2D12-15V15KS	1