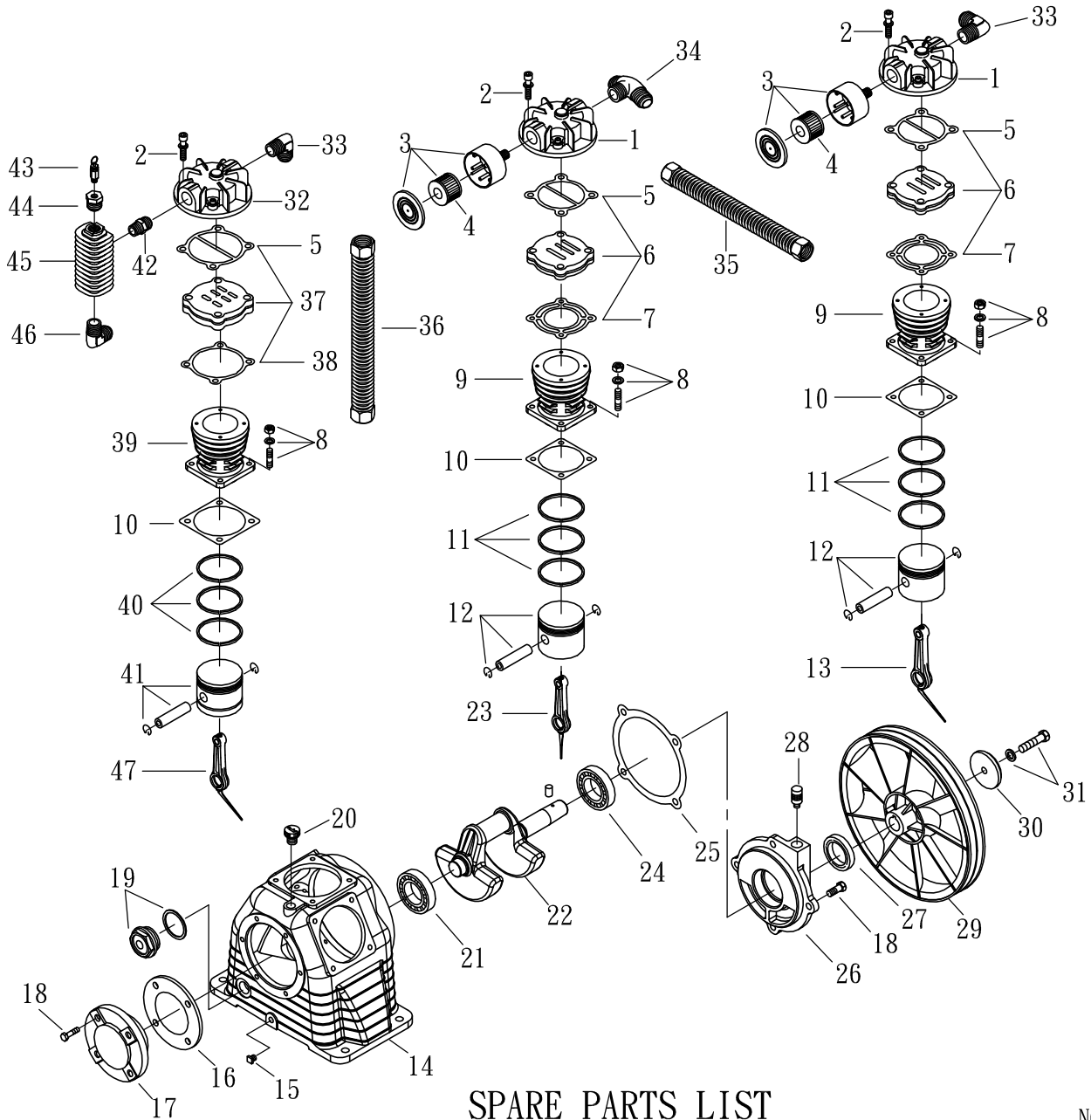


# MODEL : CT40



## SPARE PARTS LIST

NO:MP-1401

REF. NO.	DESCRIPTION	PART NO.	QTY.	REF. NO.	DESCRIPTION	PART NO.	QTY.
1	Cylinder head	3101084A	2	25	Rear bearing seat gasket	2G06-008	1
2	Allen bolt set	3B01-M06*040V	12	26	Rear bearing seat	3311034	1
3	Air filter set	2140020A	2	27	Oil seal	2N50-TC24*47*07	1
4	Filter element	2142013	2	28	Breathing cover	2321008	1
5	Cylinder head gasket	2G01-015C	3	29	Pulley	3PBF-125A124	1
6	In. & Ex. valve assembly	3B13-K5065C	2	30	Plate washer	2B30-08*35*35	1
7	Valve seat gasket	2G03-010H	2	31	Hexagon bolt set	3B00-SM08*035AV	1
8	Double head screw set	3B11-001-A	12	32	Cylinder head	3101090A	1
9	Cylinder	3201083	2	33	Exhaust elbow	2N06-04T04H	2
10	Cylinder gasket	2G04-003	3	34	Exhaust three way pipe	2N09-04H04T04H2	1
11	Piston ring set	3B32-65N	2	35	Exhaust tube set	3B2-04*205	1
12	Piston set	3B31-65N	2	36	Exhaust tube set	3B2-04*380	1
13	Rod set	3B33-CT30L	1	37	In. & Ex. valve assembly	3B13-K5051C	1
14	Crankcase	3301121	1	38	Valve seat gasket	2G03-011H	1
15	Oil draining plug	2N33-002	1	39	Cylinder	3201082	1
16	Front cover gasket	2G05-020	1	40	Piston ring set	3B32-51N	1
17	Front cover	3309044A	1	41	Piston set	3B31-CT4051H	1
18	Hexagon bolt	2B00-SM08*020	8	42	Nipple	2N01-04T04TS	1
19	Oil sight gauge set	2303022B	1	43	Pressure relief valve	2406020A	1
20	Oil filling plug set	2319003A	1	44	Bushing	2N02-002	1
21	Bearing	2N35-6205	1	45	Spare tank	3125007	1
22	Crankshaft & balancer	3304101	1	46	Exhaust elbow	2N06-06T04H	1
23	Rod set	3B33-CT30M	1	47	Rod set	3B33-CT40H	1
24	Bearing	2N35-6205Z	1				